

brand	MEP
-------	------------

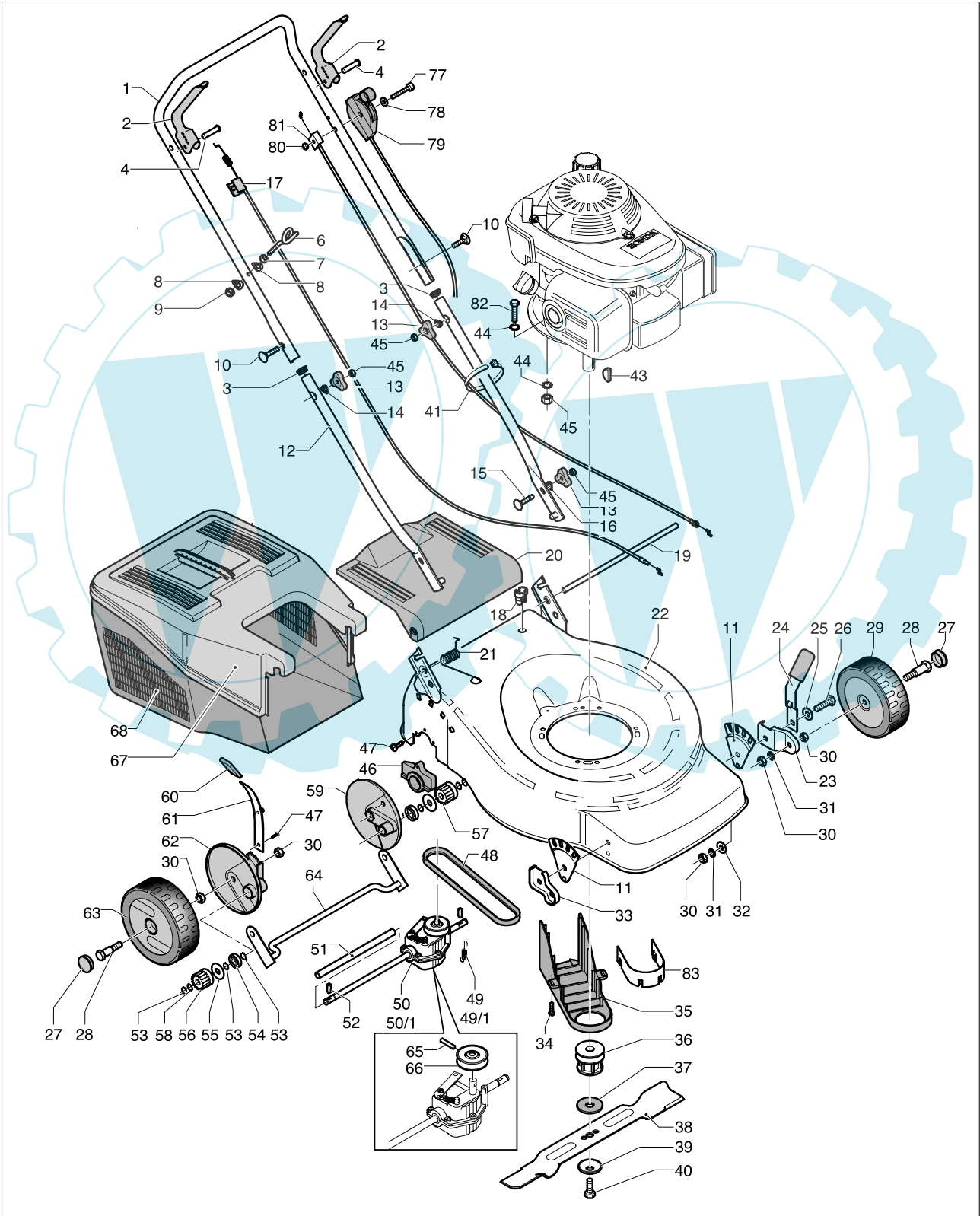
date	FEB/03	SHEET 1/3
------	--------	-----------

Model

MP 546 SP

Product number

953875716



brand	MEP
-------	------------

date	FEB/03	SHEET 2/3
------	--------	-----------

Model

MP 546 SP

Product number

953875716

Pos.	PN ELX	PN MEP	DESCRIPTION	Q.ty	NOTE
1	531206029	10146653	upper handle	1	
2	531206027	10146633	lever	1	
3	531208950	20833303	plug	2	
4	531206032	10146713	pin	2	D6x36.5 NYLON
6	531205169	10121470	cable hook	1	
7	531207165	10501200	nut	2	M6 H6 UNI 5587-6S-ZB
8	531204961	10115900	washer	2	6,5E
9	531208491	20281800	nut	1	M6 H8 UNI7473-ZB
10	531207089	10402401	screw	2	TTSQ M8x50 TF ZB
11	531210608	10146890	bearing	2	
12	531206071	10150133	handle lowere	2	
13	531204923	10114303	knob	4	
14	531207090	10402402	washer	2	
15	531204921	10114100	screw	2	8,5 TTSQ M8x25 T.FIL. ZB
16	531204922	10114200	washer	2	8x16x1,5 ZB
17	531206024	10146600	clutch cable	1	rid plastic
17	531206036	10146770	clutch cable	1	rid aluminio
18	531205557	10135413	cable lock	1	
19	531205060	10120530	tie rod	1	
20	531205982	10146211	deflector	1	
21	531205999	10146330	spring	1	
22	531210718	10172671	deck	1	
23	531204915	10107302	wheel bearing	1	DX
24	531204913	10107203	lever	2	
25	531206020	10146530	washer	2	UNI 8840 B12 (13/24/1)
26	531204912	10107100	screw	2	
27	531204936	10114804	plug	4	
28	531205042	10120090	screw	4	
29	531205031	10120074	wheel	2	D170/13 TAC-MP
30	531207978	20101700	nut	10	M10 H8 UNI 5588-6S ZB
31	531208974	30102100	washer	4	10E
32	531207989	20113000	washer	2	10x30x2,5
33	531204914	10107301	wheel bearing	1	SX
34	531207856	10831800	screw	3	TEFR 5x10 ZB PASSO
35	531205047	10120183	belt housing	1	
36	531205048	10120200	bearing blade	1	
37	531207243	10531700	washer	1	17,2x50x1,5+0,1
38	531211652	10173170	blade	1	
39	531207237	10530900	washer	1	11x50x2,5
40	531208008	20120580	screw	1	TE 3/8 UNFx37-8,8 1/2F ZB
41	531205581	10135600	clamp	2	160X4,5
42	531205196	10121700	screw	3	TE M8x35 UNI 5739-8,8-ZB
43	531204907	10100900	key	1	4x6,5 UNI6606 WODRUF
44	531207981	20106200	washer	6	D.8E DIN 6798
45	531207982	20106300	nut	7	M8 H8 UNI 5587-6S ZB
46	531205944	10146093	support	2	
47	531208216	20135720	screw	3	TCTC2FD5x16 AC
48	531207280	10548500	belt	1	Z 27 3L 285



Service

brand	MEP
-------	------------

ELECTROLUX OUTDOOR PRODUCTS

date	FEB/03	SHEET 3/3
------	--------	-----------

Model

MP 546 SP

Product number

953875716

Pos.	PN ELX	PN MEP	DESCRIPTION	Q.ty	NOTE
49	531205216	10121920	spring	1	
50	531204755	09767400	reducer complet	1	
51	531207697	10766503	spacer tube	1	
52	531205108	10121160	key	2	"S" 5x5(-0,05)x19,2 DIAG
53	531208772	20655800	seeger	6	D.12E DIN 471
54	531208778	20657600	ball-bearing	2	D.12/28/8 6001/2RS
55	531207847	10831200	washer	2	D.12/34/0,7 ZB
56	531205045	10120160	pinion	1	DX
57	531205046	10120170	pinion	1	SX
58	531208859	20761300	washer	2	D.12,4x17x0,3
59	531205195	10121673	flange	1	
60	531207986	20107203	sheating	1	
61	531205228	10121970	lever	1	
62	531205194	10121663	flange	1	
63	531205021	10120054	wheel	2	D190/13 TAC-MP
64	531205210	10121840	rear axle	1	
65	531207703	10768400	resilient pin	1	
66	531208899	20768203	gear pulley	1	
67	531208296	20146113	grass catcher upper	1	
68	531208313	20146593	grass catcher bottom	1	
73	531206644	10275100	washer	4	UNI 8840-B12(13/24/0,8
77	531206212	10155420	screw	1	TE M5x60 UNI 5739-4.8 T.F
78	531206666	10284700	washer	1	5/15/1,5 ZB
79	531206030	10146670	accelerador	1	mm. 1070/48
80	531205213	10121890	nut	1	M5 DIN 6923
81	531205813	10140950	cable	1	
82	531207044	10390800	screw	1	TE M8x40
83	531206031	10146690	belt housing	1	HONDA 135